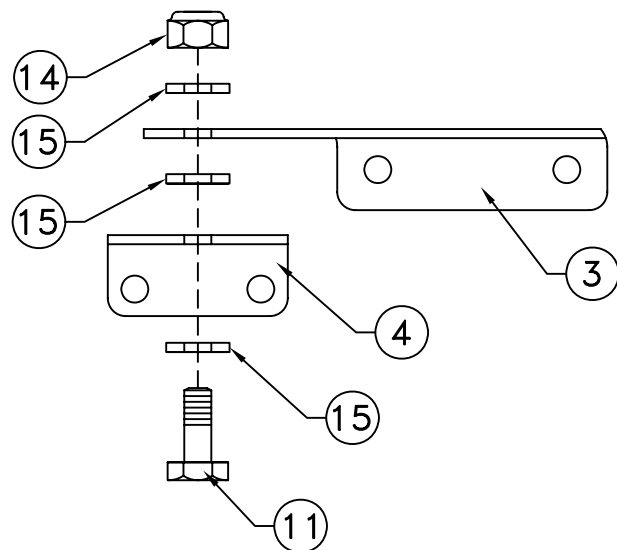
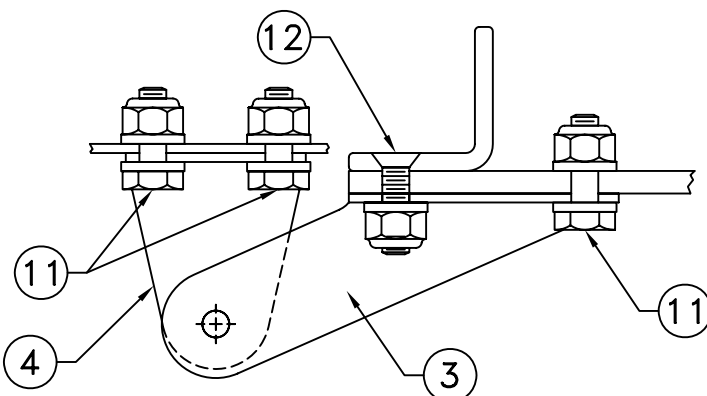


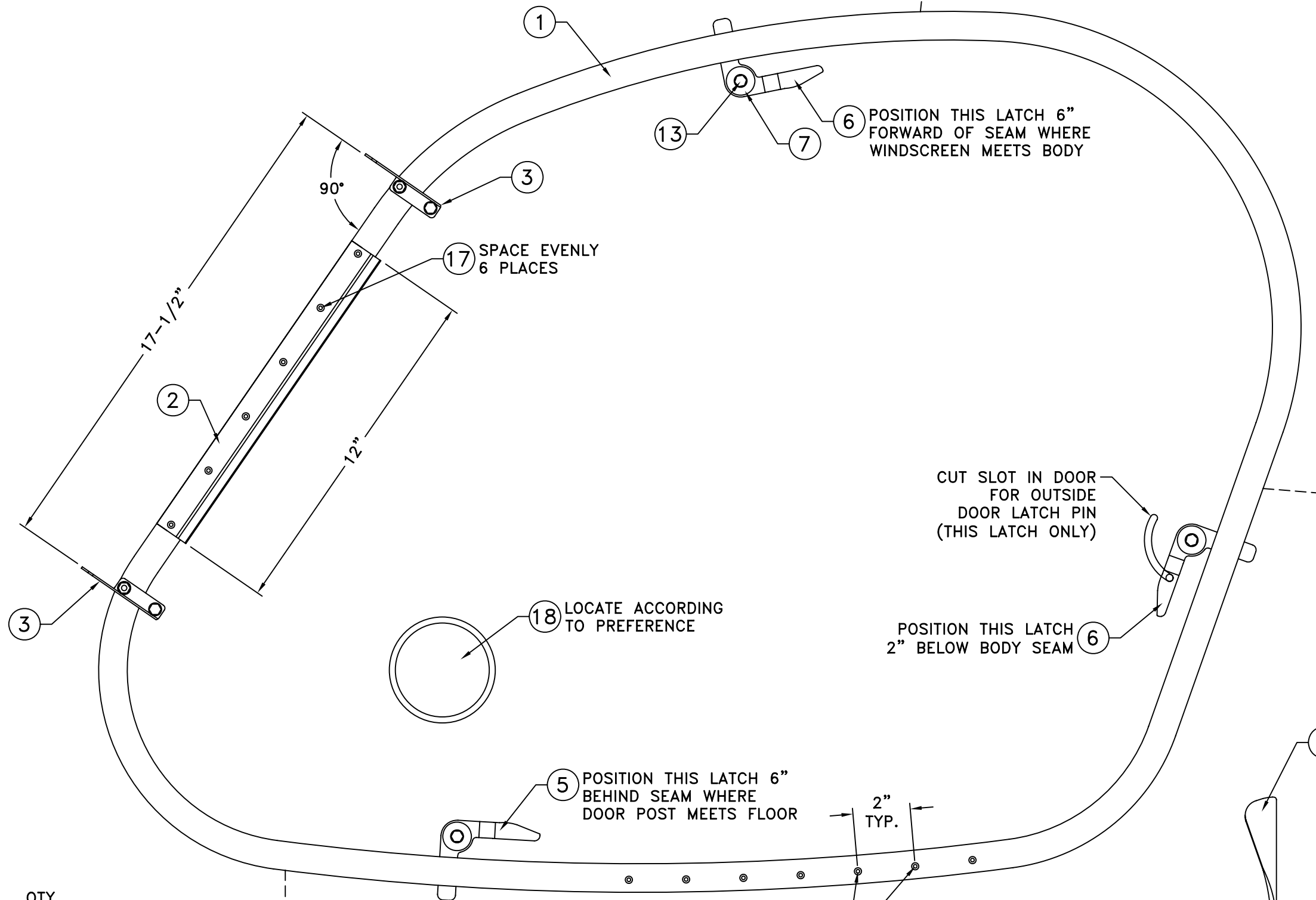
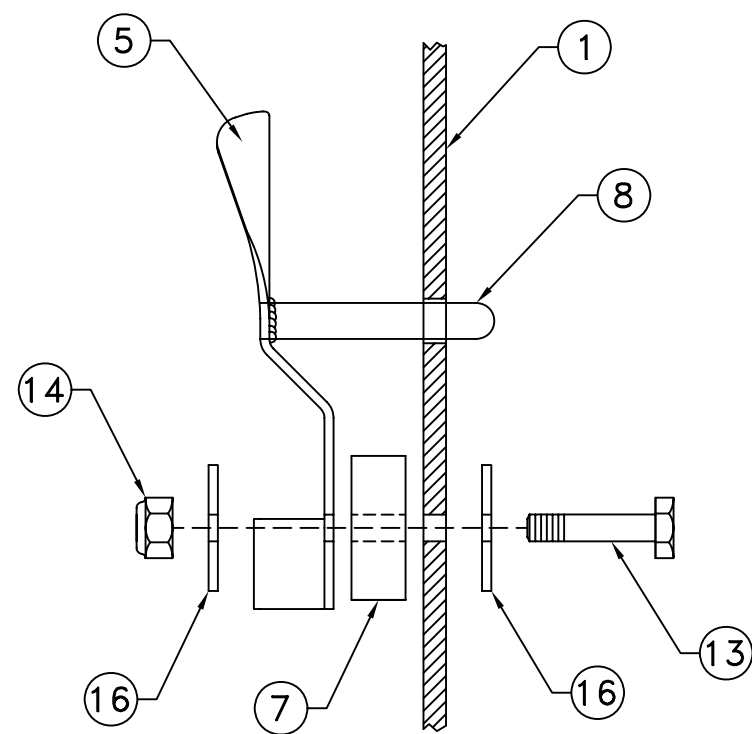
BODY AND DOOR HINGES
SIDE VIEW



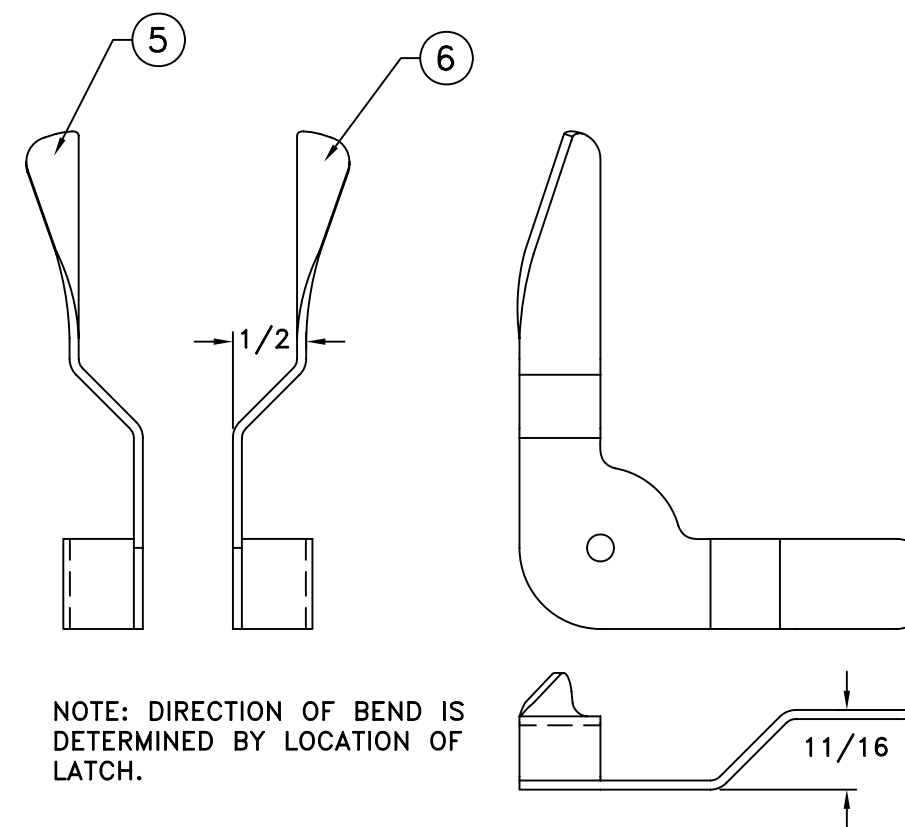
BODY AND DOOR HINGES
TOP VIEW



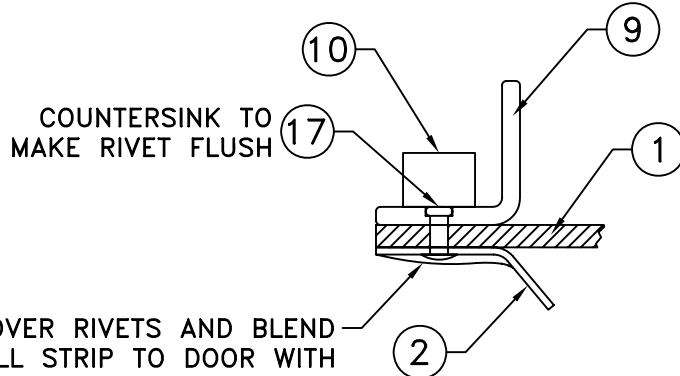
LATCH INSTALLATION



DOOR LATCHES



STALL STRIP



REF. NO.	PART NO.	PART NAME	QTY.
1.	E41-7120	DOOR, LEFT (PILOT)	1
	E41-7130	DOOR, RIGHT (PASSENGER)	1
2.	E41-3130	STALL STRIP	2
3.	E41-3110	DOOR HINGE	2
4.	E41-3120	BODY HINGE	2
5.	E41-1170	DOOR LATCH LEFT	3
6.	E41-1180	DOOR LATCH RIGHT	3
7.	E41-2200	DOOR LATCH SPACER	6
8.	E41-3100	OUTSIDE DOOR LATCH PIN	2
9.	E41-7140	DOOR STIFFENER, LEFT (PILOT)	1
	E41-7150	DOOR STIFFENER, RIGHT (PASSENGER)	1
10.	E41-1120	WEATHER STRIPPING	2
11.	E00-2300	BOLT AN3-4A (3/16 X 1/2)	16
12.	E00-2302	SCREW (3/16 X 5/8 CSK)	4
13.	E00-2304	BOLT AN3-7A (3/16 X 7/8)	6
14.	E00-3301	NUT 3/16 FIBERLOCK AN365-1032A	26
15.	E00-4301	WASHER 3/16 REGULAR AN960-10	24
16.	E00-4302	WASHER 3/16 FENDER AN970-3	12
17.	E00-6206	RIVET 1/8X 1/4 ALUM POP AAP-44	110
18.	E54-4050	DOOR VENT 3-1/4"	2

ROTORWAY INTERNATIONAL CHANDLER, ARIZONA			
SCALE: NONE	APPROVED BY:	DRAWN BY: WAR	
DATE: 1-23-08		REVISED:	
DOORS			
MODEL: A600 TALON	DRAWING NUMBER: E41-2000		